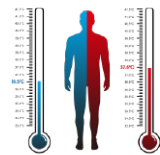


- Dual Thermal & Color Image IP Camera
- Iveda NVR Software displays Thermal Image with Temperature Indicator
- Accurate AI Thermal Temperature
- 2MP Color Image for Visible Video Identification
- Multiple-People Fever Detection Capability
- Fever Temperature Alarm I/O Ports
- Support 12Vdc & PoE

White Light

2nd Color Image

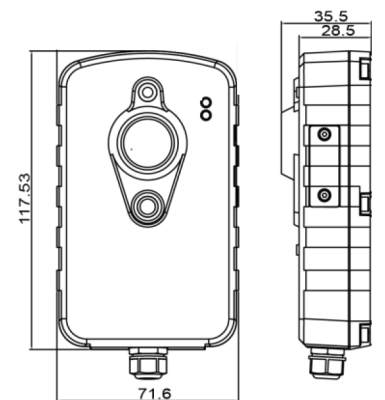
Human Body Thermal Sensor



Human Body Temperature Detection

Thermal Video	Image Sensor	Uncooled VOx Microbolometer
	Resolution;Pixel Size	FLIR (USA) 80x60, Progressive Scan; 17µm
	Spectral Range	Longwave infrared, 8 µm to 14 µm
	Angle of View	H: 51°, V: 38°, D: 64°H:
	Full Frame Rates	9 fps(NTSC);) 9 fps (PAL)
	Thermal Display	B&W/Color/Reverse
	Temperature Detection (Option)	Center & Max. Temperature (MAX 1 M / Tolerance. ±0.5°C / ±0.9°F)
	Temperature Alarm (Option)	(Range 30°- 45°C / 86°- 113°F)
Visible Video	Image Sensor	1 / 2.9" Sony 2M Exmor CMOS
	Video Resolution	2 Megapixel/1 Megapixel; 1920 × 1080P/1280 × 720@30FPS
	Minimum Illumination	Color: 0.1Lux@F2.0, Sense-up: 0.001Lux@F2.0, Light on: 0.0012Lux@F2.0
	White Balance	Support
	Image Setting	Brightness, Contrast, Saturation, Sharpness, De-noise, Grayscale
	Lens	f6.0mm
	WDR	Support
	ICR	N/A
	Aperture	Fixed Lens
	LED: Working Distance (Meter)	White LEDs ; 5 Meter, Support Manual or Alarm (On/ Off)
	OSD Menu	English, Japanese, Traditional Chinese, Simplified Chinese
General	TV System	PAL/NTSC
	Video Compression	H.264. MPEG4, M-JPG
	Browser	IE 10 or Above
	Ethernet	10/100M Auto Negotiation
	Bit Rate	64 up to 12,000 Kbps
	ONVIF	Support ONVIF(Profile S)
	Protocols	TCP, UDP, HTTP, SMTP, FTP, NTP, DNS, DHCP, PPPoE, ARP, UPnP, RTSP, RTP, SNMP, TRAP, ONVIF, Ethernet(RJ-45 Wired 10/100 Base-TX)
	User	Support 9 Users
	Security	ID / Password Protection
	Alarm Trigger	File Upload via FTP and Email/Notification via Email, HTTP, External Digital Output Activation
	Multicast	Support Multicast Function
	Connector	RJ45, DC Power, Reset Button, SD Slot
	Alarm In / Out	DI / DO
	Power Supply Consumption	12Vdc/ PoE; 4W
	Audio	Line In / Line Out 3.5mm
	Temp: Humidity	-10° C ~ 50° C ; -20° C ~ 60° C
	Dimensions	71.6(W) x 117.5(H) x 35.5(D)mm
Net Weight	450g	

Dimensions



FEVA-500 Software



FEVA-500 NVR

Specification subject to change without notice

- Max. 2 Thermal Camera Input, Visible & Thermal images display
- Multi-people Individual Temperature Display, Live Alarm & Temp Recording
- AI Non-Human Thermal Heat Noise Cancellation
- Environment Temperature Differential Offset Setting
- Alarm Action includes Screen Flash, Audio Play, Both Records, Email
- Built-in 2TB HDD, Gigabit Port, USB 3.0 x 2 + USB 2.0 x 4
- Simultaneous output for 3 screens: HDMI + Display Port + VGA



DuraTech USA Inc.
 714-898-2171 O.C. County
 562-424-5502 L.A. County
 714 719-9496 Cell
 FAX: 866-704-9132
 Email: sales@DuraTechUSA.com
 www.DuraTechUSA.com

FEVA-500 works with Iveda's ZEE thermal camera
 360° Fisheye Live & Playback De-warping
 Face Detection, Virtual Fence Detection & People Counting

Intelligent Functions	Thermal Imaging	<ul style="list-style-type: none"> • Dual-camera video display: Objects display visible & thermal with easy temperature comparison • Auto alarm triggering when over set temperature is detected • Environment temperature differential offset setting • AI Non-human thermal heat noise cancellation
Software Features	FEVA-500: Fisheye & IVS	<ul style="list-style-type: none"> • 360° Full Panoramic View, 180° Dual View and Quad View for detailed surveillance • De-warp real-time video or recordings from fisheye IP cameras • Face detection, Virtual Fence & People Counting
	CMS & Management	<ul style="list-style-type: none"> • Manage and monitor event notifications from multiple DVR/NVR sites • Archive event logs for further searching • Map display and live video display
	Storage	<ul style="list-style-type: none"> • Cache video recordings while confronting abnormal network traffic to avoid data loss • Auto-recycle & easy video search on external storage • Extend storage space to NAS/SAN/DAS for large data
	Networking Optimization	<ul style="list-style-type: none"> • Auto connect & Setup IP Cameras in LAN with One Step(certain models only) • Local display and video search • Dual-stream support
	Playback	<ul style="list-style-type: none"> • Able to customize split-screen layout, and loop display camera video on the customized screen.
	Snapshot	<ul style="list-style-type: none"> • 36/30/25/24/20/16/12/9/6/4/1 split screen display, full screen display and customized screen layout
	Monitor	<ul style="list-style-type: none"> • Support up to 5 million pixel high-resolution IP Camera, 2 M cameras can reach 30 per second • Support ONVIF and RTSP protocol add camera, compatible with almost all camera brands • Users can control the status of the local server, the remaining video space, the camera list, and their connection status through the user interface • 1/4/6/9/10/13/16/25/36 divided screen • Support bi-directional monitoring function (can be turned off), but does not affect the video. Network Time • Auto-Calibration (NTP)
	Audio & Video Recording	<ul style="list-style-type: none"> • Support up to 5MP high-resolution IP Camera, 2M cameras can be setup to 30 frames per second • Support H.264 / H265 format • Intelligent video mode: Scheduled video, alarm video, appointment plus alarm • Support for motion detection alarm, camera shelter, according to user needs, configure a number of different warning areas, and can support multi-level detection sensitivity level • Support Watermark
	Playback	<ul style="list-style-type: none"> • Support one screen & multiscreen playback at the same time. It can display 4, 6, 9, 16, 25, and 36 channels on a single screen • Support calendar input, time input and timeline click search playback • Forward playback at 1/16x, 1/8x, 1/4x, 1/2x, 1x, 2x, 4x, 8x, 16x, 32x, 64x, 100x, 200x • Take a snapshot of the recording in JPEG/BMP format or export a section of the video in "AVI" and "JPEG" format • Provide video screen special effects processing, such as picture mosaic, screen rotation • Continuous playback can be set to take pictures (1~999) • Search for 5 types of different analytics events, digital PTZ and video enhancement tool are all available in playback • Support simultaneous playback / Intelligent playback system
	Alarm	<ul style="list-style-type: none"> • Alarm record : Displacement detection, IO Alarm, IVS Alarm • Support Pre-Alarm 0~150 Sec & after alarm record 5~120 sec
Alarm with Actions	<ul style="list-style-type: none"> • Alarms have selectable alert types that will show footage of activity and location of event on a map if linked to the system. Motion capture from 1 camera can trigger other cameras to start recording too. • Triggers include: video recording, audio recording and automatically moves PTZ to any preset location, and send E-mail alerts with image of event. • Triggered events, video loss, full hard drive or damaged will have selectable alarm types such as a siren or can appear on different screens along with email or text message alerts to assigned users. 	
Recording	<ul style="list-style-type: none"> • Continuous, by digital input, motion, event, boosting, by schedule, manual • Operation rights can be divided into storage management, user equipment video scheduling displacement detection network management, system settings log alarm linkage management, edit the lens arrangement order password change PTZ operation control, playback function photo browse E-map Close NVR system, allowing remote log in NVR and allow the number of cameras to monitor the screen and other permissions to distinguish 	
Automatic backup	<ul style="list-style-type: none"> • To set their own backup work cycle, such as: month, day or a single execution • To specify the data backup time and need to be included in the camera screen • Supports local hard disk, external hard disk, network disk, NAS, FTP Server, disk array, USB flash drive. 	

DISCLAIMER

IvedaAI thermal imaging rapid screening system is not medical grade device and cannot be used as a measure of the actual temperature of the human body. The system must be used for reference only and cannot be construed as a medical equipment. If high temperature is detected, use a medical-grade infrared thermometer to verify actual temperature. The system is designed to detect elevated skin-surface temperature and can be used for preliminary temperature screening.